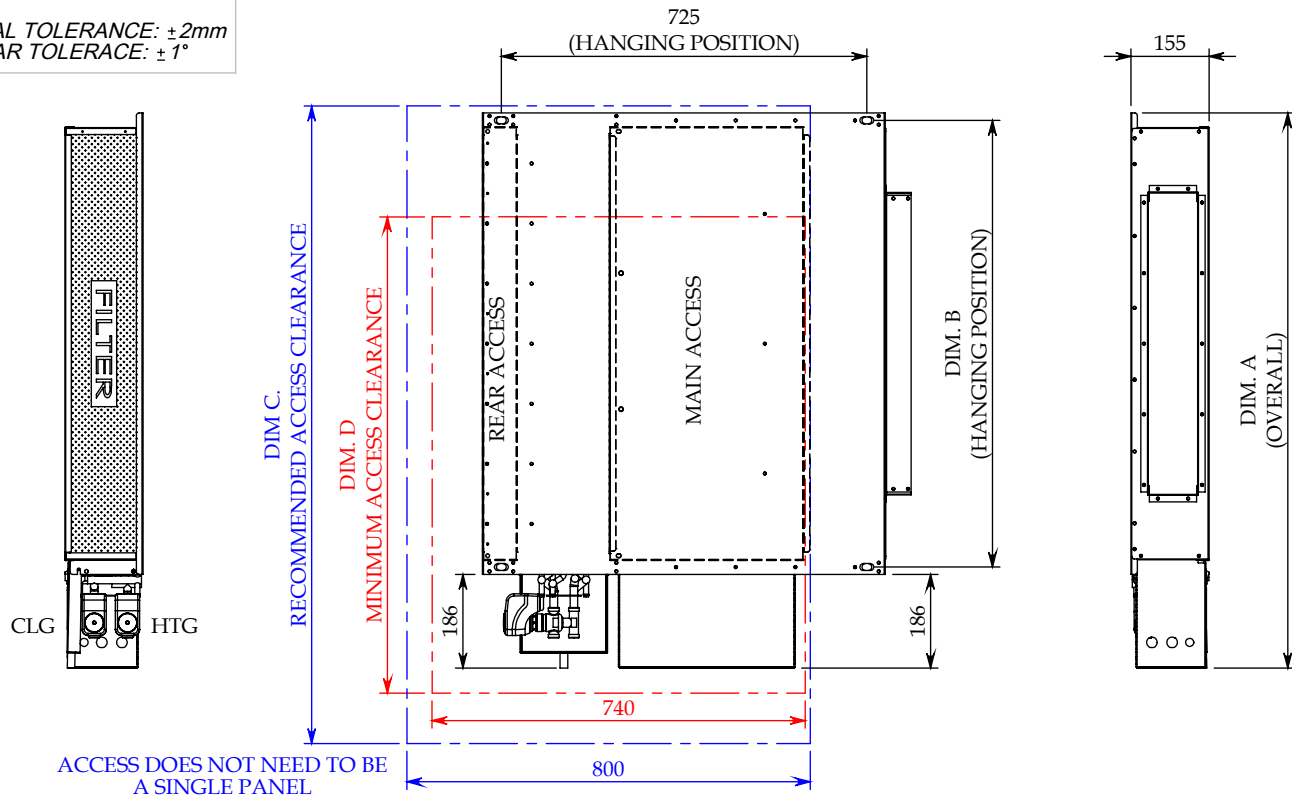


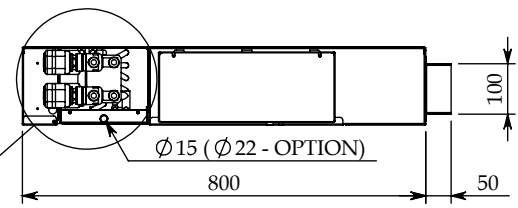
ALL DIMENSIONS IN mm

FRACTIONAL TOLERANCE: ±2mm
ANGULAR TOLERANCE: ±1°

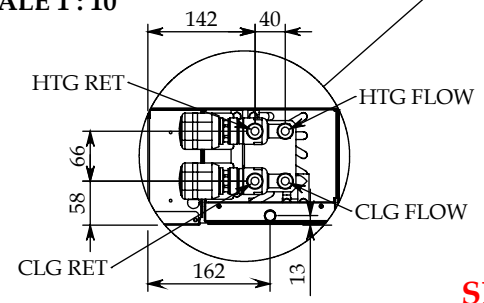


FCU SIZE	DIM. A	DIM. B	DIM. C	DIM. D
MODEL 100	1101	886	1265	945
MODEL 200	1501	1286	1665	1345
MODEL 300	1901	1686	2065	1745
MODEL 400	2301	2086	2465	2145

FCU SIZE	MAIN ACCESS PANEL SIZE		
MODEL 100	860	x	386
MODEL 200	1260	x	386
MODEL 300	1660	x	386
MODEL 400	2060	x	386

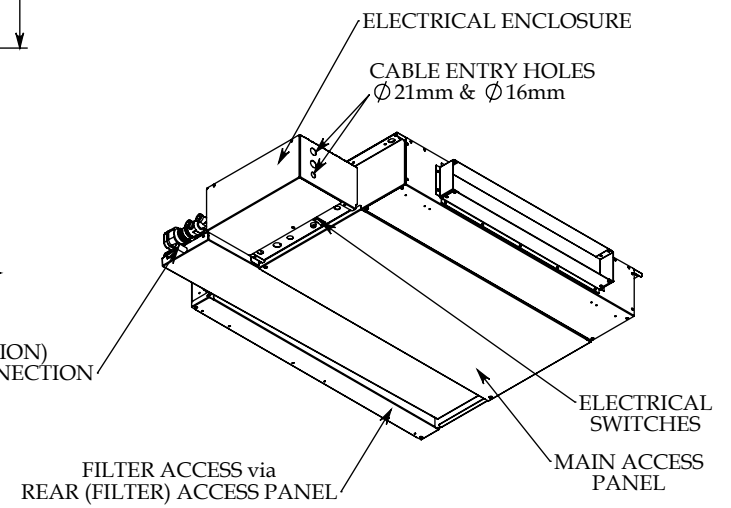


DETAIL SCALE 1:10



DIRECTION OF FLOW →

Ø15 (Ø22 - OPTION) CONDENSATE CONNECTION



SEE PAGE 2 FOR MORE INFORMATION

GENERAL ARRANGEMENT DWG.
EVO155 - APOLLO
FAN COIL UNIT

LEFT HAND
FAN COIL UNIT SHOWN

REV	DESCRIPTION	INIT	DATE
E			
D			
C	Condensate Tail Length Amended.	MPA	02/02/2015
B	Coil Pipe Orientation Note Removed. Ø22 Condensate Connection Option Added.	PRB	03/03/2014
A	Drawing Layout Amended	PRB	20/06/2013



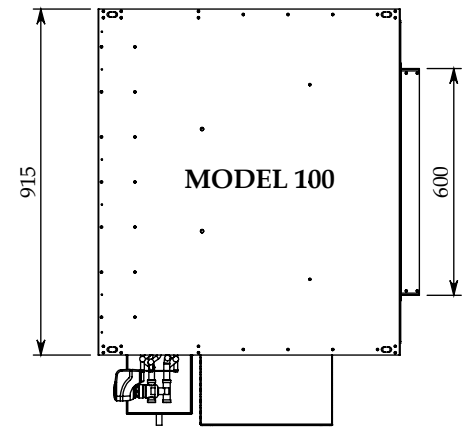
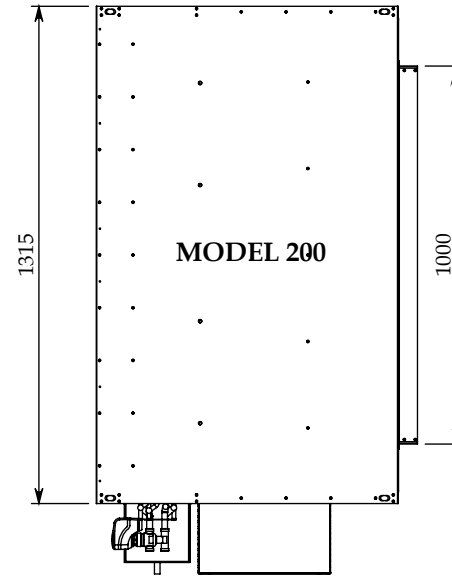
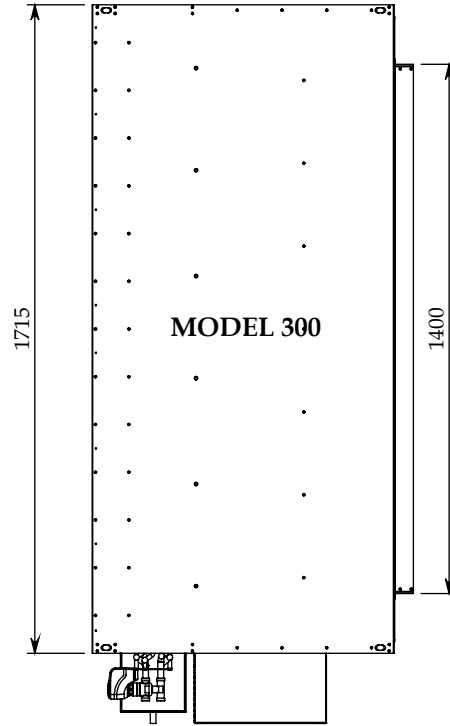
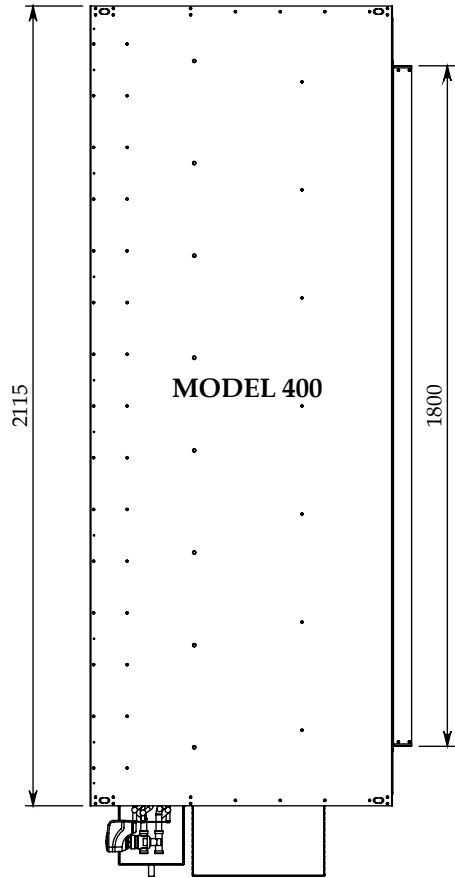
TITLE
EVO155 Horizontal Chassis Fan Coil Unit
Standard - RECT DISCHARGE


DRAWN BY	PRB	DATE	13/06/2013	SCALE 1:15
CHECKED BY	MPA	DATE	13/06/2013	
DRAWING NO.	REV		PAGE	
GS0244	C		1 of 2	

ALL DIMENSIONS IN mm

FRACTIONAL TOLERANCE: $\pm 2\text{mm}$
 ANGULAR TOLERANCE: $\pm 1^\circ$

LEFT HAND FAN COIL UNIT SHOWN



E					DRAWN BY	PRB	DATE	13/06/2013	SCALE 1:20
D					CHECKED BY	MPA	DATE	13/06/2013	
C	Condensate Tail Length Amended.	MPA	02/02/2015	TITLE EVO155 Horizontal Chassis Fan Coil Unit Standard - RECT DISCHARGE	DRAWING NO.		REV	PAGE	
B	Coil Pipe Orientation Note Removed. Ø22 Condensate Connection Option Added.	PRB	03/03/2014		GS0244		C	2 of 2	
A	Drawing Layout Amended	PRB	20/06/2013						
REV	DESCRIPTION	INIT	DATE						